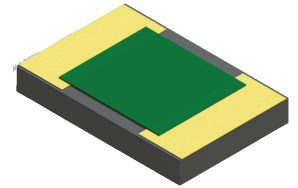


RS0805ZZ-XXXXWN-2P Features:

- Single-Sided (Flip-Chip) Terminal Configuration
- Solder, Epoxy or Wirebondable Terminals
- Customer Defined Testing Available
- RoHS Compliant or SnPb Available
- Non-Magnetic Available
- Tape & Reel (Film Side Down) and Waffle Pack Available (Standard is bulk)



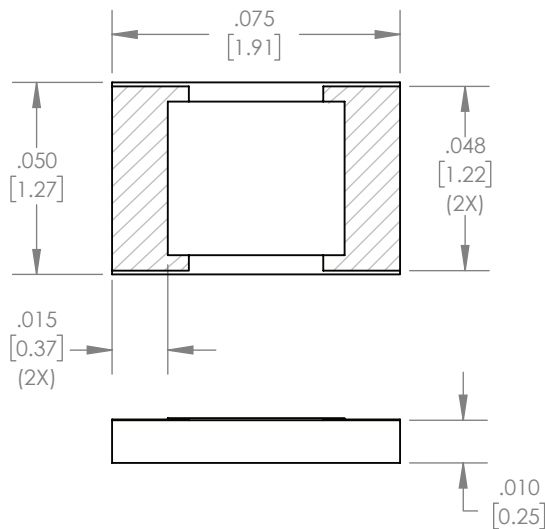
RS0805ZZ-XXXXWN-2P Parameters:

Resistance Range: 10Ω - 1KΩ
 Rated Power:* 1W
 Construction: Thick Film on 0.010" AlN
 Operating Temperature: -55 to +150°C

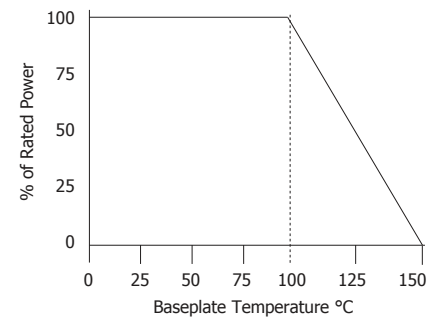
* Rating based on ≤100°C constant baseplate temperature

■ Actual Size

RS0805ZZ-XXXXWN-2P Dimensions:



RS0805ZZ-XXXXWN-2P Power Derating Curve



Dimensions in inches [mm]
 Tolerance is ± 0.005 [0.13]
 unless otherwise stated

Ordering Information:

Example Part Number: RS0805CT-50R0JN-2P

RS	0805	ZZ	-	XXXX	W	N	-	2P	UU
Prefix for Resistor w/ Single-Sided Terminals	Size 0805	Value Code 50R0 - 50Ω 1000 - 100Ω 1001 - 1KΩ		Tolerance F - 1% G - 2% J - 5%	Normal Inspection Contact factory for additional options	Substrate 2P - 0.010" AlN		Packaging Blank - Bulk WP - Waffle Pack TRD - Tape & Reel	
Terminal Metallization			RoHS	Magnetic		Solder	Epoxy	Wirebond	
CB - Tin Lead over Nickel over Silver			No	Yes	Yes	No	No		
CC - 100% Matte Tin over Copper over Silver			Yes	No	Yes	No	No		
CT - 100% Matte Tin over Nickel over Silver			Yes	Yes	Yes	No	No		
GA - Gold			Yes	No	No	Yes	Yes		

Barry Industries reserves the right to change part number and/or process without notification.